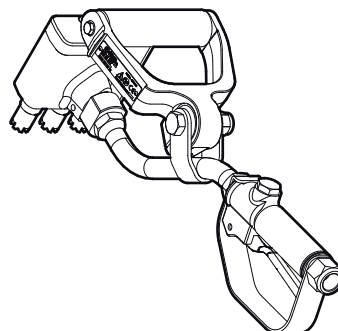


Spare parts list

**Pneumatic scabblers
CP 0006, CP 0006 SVR**



Contents

General information	5
Spare parts list	6
CP 0006	6
CP 0006 SVR	8
Accessories	10
Hose rolls	10
Pre-mounted universal hoses with claw couplings	10
Water separator	11

General information

This spare parts list applies to the following:

Description

Pneumatic scabblers CP 0006

Pneumatic scabblers CP 0006 SVR

Use only authorized parts. Any damage or malfunction caused by the use of unauthorized parts is not covered by Warranty or Product Liability. Any unauthorized use or copying of the contents or any part thereof is prohibited. This applies in particular to trademarks, model denominations, part numbers, and drawings.

Instructions for use

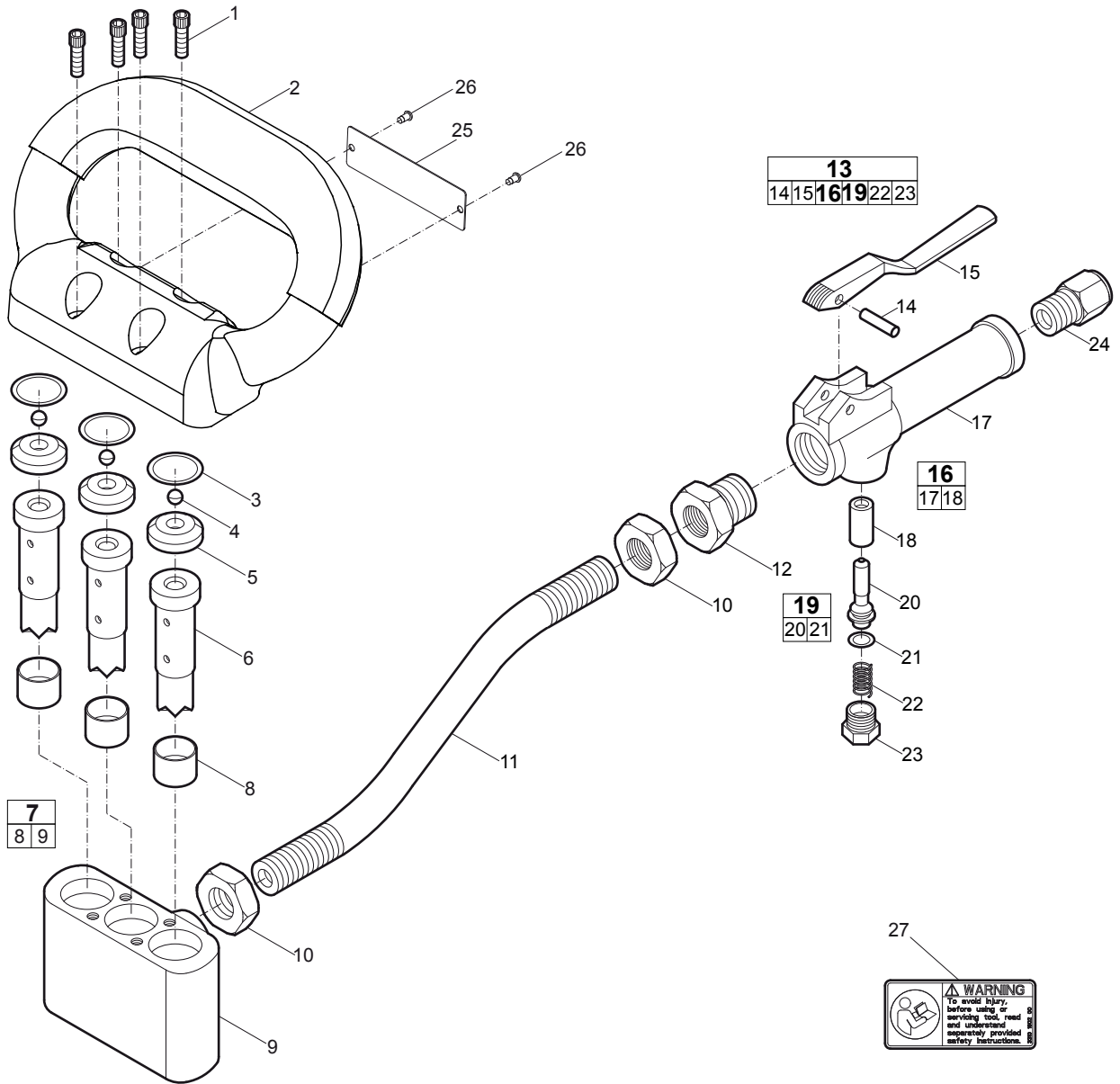
This spare parts list contains no safety regulations and is merely intended to assist in the ordering of spare parts.

For information about operating, servicing, or repairing, the relevant Safety and operating instructions must be consulted at all costs.

Please observe the safety instructions listed in the relevant Safety and operating instructions!

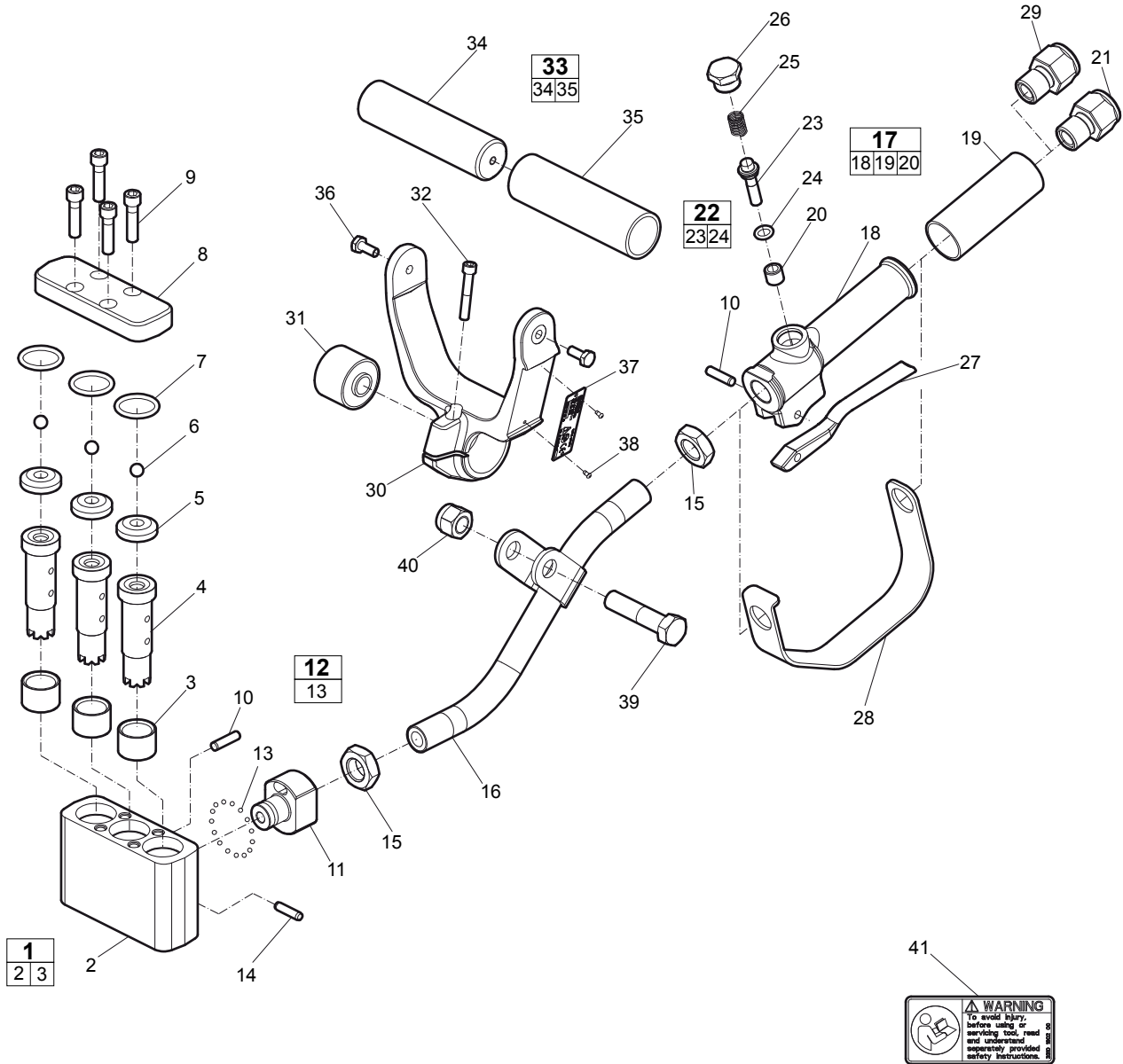
Spare parts list

CP 0006



No.	Description	Remark	Quantity	Part number
1	Cap screw	Socket head	4	F826 516
2	Handle - Cylinder		1	F826 708
3	O-ring		3	A082 759
4	Ball valve		3	F061 776
5	Cylinder cap		3	F826 706
6	Piston		3	F064 604
7(8-9)	Cylinder, complete		1	F826 707
8	Cylinder bushing		3	F826 808
9	Cylinder		1	-
10	Locknut		2	F064 909
11	Handle - Bent		1	F064 668
12	Bushing - Reducer		1	F826 506
13(14-15,16,19,22-23)	Throttle body, complete		1	P007 395
14	Pin - Lever		1	P001 921
15	Lever - Throttle		1	P001 903
16(17-18)	Body - Throttle, complete		1	P007 350
17	Body - Throttle		1	-
18	Throttle valve bushing		1	P001 814
19(20-21)	Throttle valve, complete		1	P087 671
20	Throttle valve		1	-
21	O-ring		1	CA08 8867
22	Spring		1	P001 858
23	Cap valve screw		1	P001 964
24	Strainer - Air		1	P001 995
25	Data plate		1	-
26	Drive screw		2	0244 4144 00
27	Safety label		1	3310 1602 00

CP 0006 SVR



No.	Description	Remark	Quantity	Part number
1(2-3)	Cylinder, complete		1	3303 0052 41
2	Cylinder		1	-
3	Cylinder bushing		3	F826 808
4	Piston		3	F064 604
5	Cylinder cap		3	F826 706
6	Ball valve		3	F061 776
7	O-ring		3	A082 759
8	Cylinder cover		1	3303 0051 92
9	Cap screw	Socket head	4	F826 516
10	Pin - lever		2	P001 921
11	Adaptor bolt		1	3303 0051 93
12(13)	Bearing ball, complete	15 balls included	1	3303 0052 42
13	Bearing ball	1/8 in.	15	-
14	Pin		1	3121 0595 00
15	Locknut		2	F064 909
16	Handle - Bent pipe		1	3303 0052 27
17(18-20)	Throttle body, complete		1	3303 0052 45
18	Throttle body		1	-
19	Throttle handle grip		1	3303 0052 01
20	Throttle valve bushing		1	P001 814
21	Air inlet nipple	1/2 in. BSP	1	3303 0052 04
22(23-24)	Body valve, complete		1	3303 0052 44
23	Body valve		1	-
24	O-ring		1	P088 844
25	Spring		1	P001 858
26	Cap valve screw		1	P001 964
27	Throttle valve lever		1	3303 0052 02
28	Handle bow		1	3303 0052 03
29	Air inlet nipple	optional, 1/2 in. NPTF	1	3303 0052 20
30	Front handle		1	3303 0052 38
31	Bushing		1	3303 0051 96
32	Screw	1/4 in.	1	0211 5209 00
33(34-35)	Handle bar, complete		1	3303 0052 43
34	Handle bar		1	-
35	Front handle grip		1	3303 0052 00
36	Hexagon screw	1/4 in.	2	0144 3205 00
37	Data plate		1	-
38	Drive screw		2	0244 4144 00
39	Hexagon screw		1	0147 1444 03
40	Locknut		1	0291 1128 41
41	Safety label		1	3310 1602 00

Accessories

Hose rolls

Metric

Description	Inner diameter (mm)	Thickness (mm)	Maximum working pressure (bar)	Length of roll (m)	Weight (kg)	Part number
Red-X hose roll	19	2.0	20	60	11	8900 0050 10
Red-X hose roll	19	2.0	20	100	18	8900 0050 11
Red-X hose roll	19	2.0	20	200	36	8900 0050 12
Red-X hose roll	25	2.5	20	60	15	8900 0050 20
Red-X hose roll	25	2.5	20	100	25	8900 0050 21
Red-X hose roll	25	2.5	20	200	50	8900 0050 22

Imperial

Description	Inner diameter (in.)	Thickness (in.)	Maximum working pressure (psi)	Length of roll (ft)	Weight (lb)	Part number
Red-X hose roll	$\frac{3}{4}$	$\frac{5}{64}$	290	195	24.3	8900 0050 10
Red-X hose roll	$\frac{3}{4}$	$\frac{5}{64}$	290	325	39.7	8900 0050 11
Red-X hose roll	$\frac{3}{4}$	$\frac{5}{64}$	290	650	79.4	8900 0050 12
Red-X hose roll	1	$\frac{3}{32}$	290	195	33.1	8900 0050 20
Red-X hose roll	1	$\frac{3}{32}$	290	325	55.1	8900 0050 21
Red-X hose roll	1	$\frac{3}{32}$	290	650	110.2	8900 0050 22

Pre-mounted universal hoses with claw couplings

Metric

Description	Inner diameter (mm)	Thickness (mm)	Maximum working pressure (bar)	Length of roll (m)	Weight (kg)	Part number
Red-X universal hose	19	2.0	20	20	4.5	8900 0050 09
Red-X universal hose	25	2.5	20	20	6.0	8900 0050 23

Description	Air inlet thread (in.)	Weight (kg.)	Part number
Claw coupling	$\frac{3}{8}$ in. BSP	0.1 kg	9000 0300 00

Not suitable for US/Canadian market

Water separator

Metric

Description	Hose connection (mm)	Air flow (l/s)	Weight (kg)	Part number
Water separator, European version(3/4 in. BSP)	20	61	0.8	8900 0050 00

Suitable couplings: 9000 0302 00

